

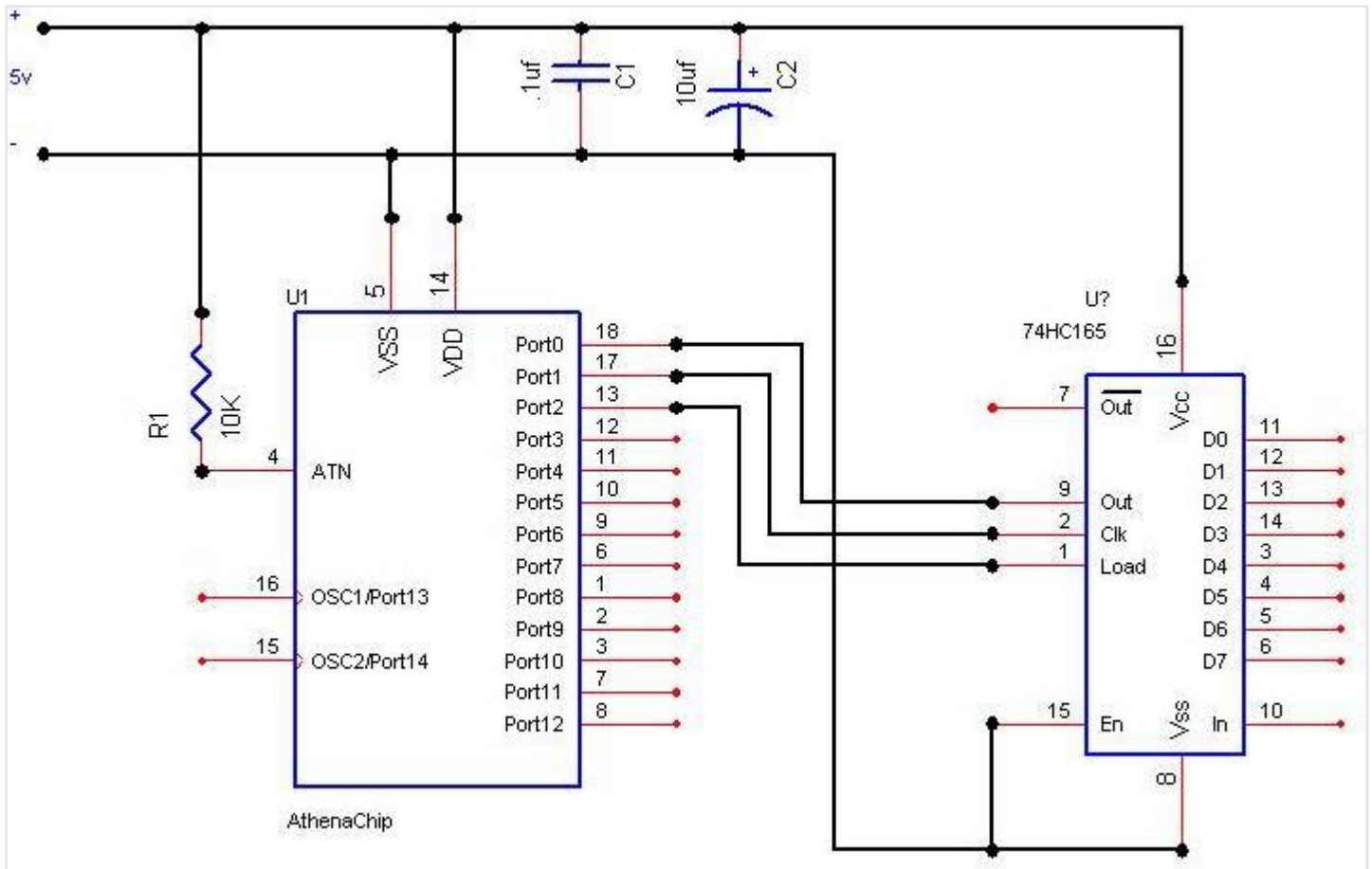
Athena - Input Ports



Athena to 74HC165 for Input Ports

Using the 74HC595 we were able to add some output ports. Now lets add a few input ports. we will use the 74HC165 shift register.

The process is pretty easy on the Athena because we have a command just for talking to a 74HC165 chip. `srin` You supply the three interface leads and it will read all 8 ports into the supplied variable.



Very simple program. It will read the ports and display them in a single value. Each port represents a single bit.

```
'srin demo
dim dat
loop:
  srin 0,1,2,dat
  print dat
  goto loop
```

Athena - Input Ports

Now lets take it one step further. The Athena has a command called `srinport`. This command will read an individual port from the shift register.

In this example `x` is the actual port you want to read.

```
'srinport demo

const load165 2
const dat165 0
const clk165 1

dim dat,x

loop:
  for x = 0 to 7
    srinport dat165,clk165,load165,x,dat
    print x,"=",dat
  next
  print
  pause 255
  goto loop
```

Related Products

- Athena <http://kronosrobotics.com/xcart/customer/product.php?productid=16276>
- EZRS232 Driver <http://kronosrobotics.com/xcart/customer/product.php?productid=16167>
- 74HC165 <http://kronosrobotics.com/xcart/customer/product.php?productid=16213>

- Athena EDU <http://kronosrobotics.com/xcart/customer/product.php?productid=16299>
- 7.5v Switching AC Adapter <http://kronosrobotics.com/xcart/customer/product.php?productid=16305>
- 9 Pin Cable <http://kronosrobotics.com/xcart/customer/product.php?productid=16259>
- Breadboard & Wire Kit <http://kronosrobotics.com/xcart/customer/product.php?productid=16303>